



Titan Industries, Inc.

Innovative Technologies, Global Solutions



Titan Atlas™ 217
Specs/Data Sheets

22335 Gosling Road • Spring, TX

Tel #: 1800-365-2162 • Fax #: 281-353-6800

www.titan-solutions.com • sales@titan-solutions.com

Titan Atlas™ 217 Pump Performance Data Sheet

Construction:

- **Body:** 304 Stainless Steel
- **Shaft:** Hardened 17-4 PH Stainless Steel
- **Housing:** 304 Stainless Steel
- **Bearings:** Carbon Graphite
- **Mag Drive w/neodymium inner and outer magnets rated for 9 ft.lbs of torque**
- **Gears/Shafts:** 17-PH Stainless Steel (Heat treated to HH1150)
- **O-Rings:** Viton Seals
- **1/2" FNPT**
- * Body and Gears available in 316 (Lead time and Cost may vary)

Drive Requirements:

- **Speed, rated:** 1750 rpm
- **Pump Speed, minimum (rpm):** 1425 rpm
- **Pump Speed, maximum (rpm):** 1800 rpm
- **Motor requires 56c mounting face**

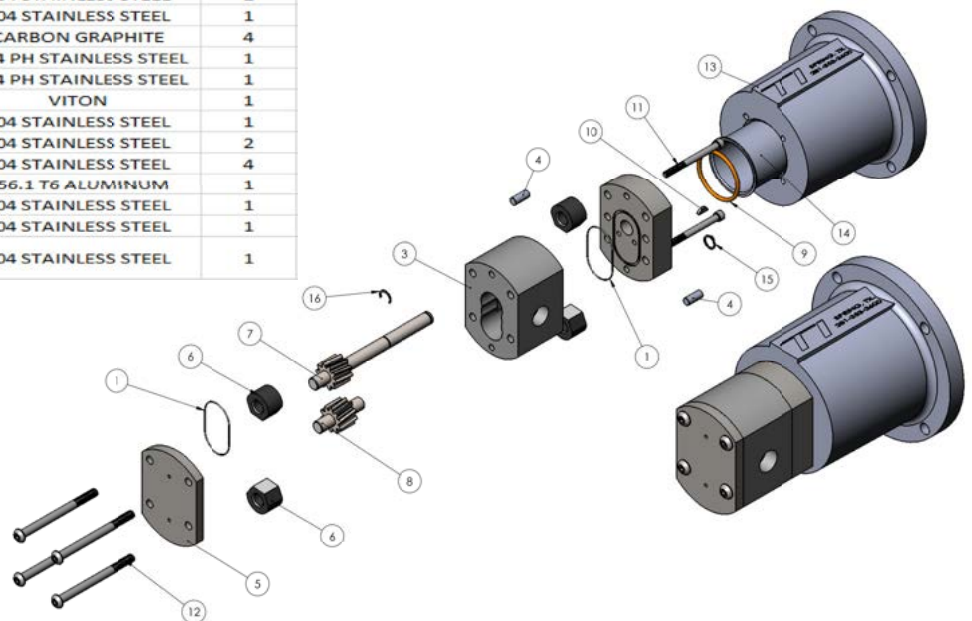
Operational Data:

- **Rated Discharge Pressure:** 0-200 psi
- **Maximum Allowable Unsustained Working Pressure:** 600 psi
- **Flooded Suction required**
- **Mag Drive Decouple Pressure:** 600 psi
- **Nominal Flow:** 2 gpm

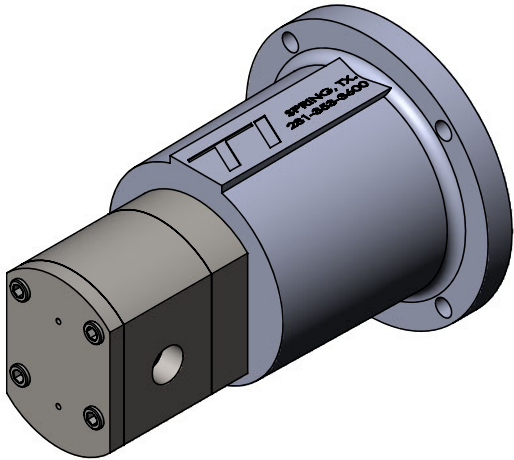
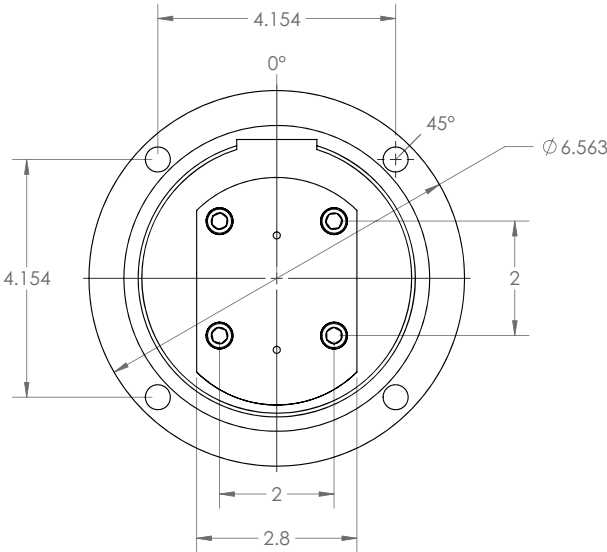
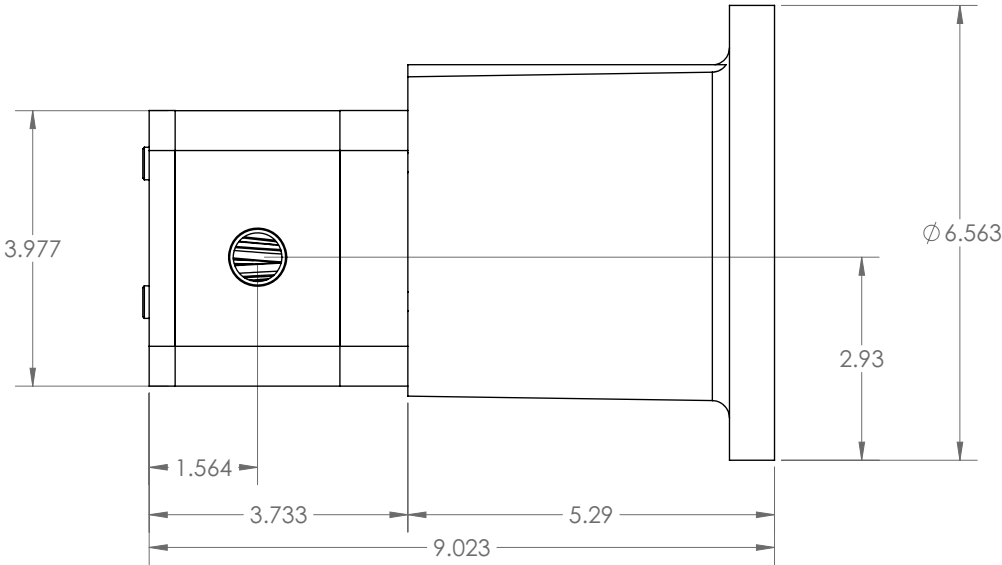
Features:

- Heavy duty stainless steel gear pumps for optimum chemical capability
- Back pull-out design for easy maintenance without disturbing piping
- One-piece "D" style bushings eliminate the need for wearplates and provide positive alignment and gear support
- Capable of operating at nominal speeds
- No integral relief valve available, external relief recommended

ITEM NO.	PART	DESCRIPTION	QTY.
1	ADAPTER PLATE O-RING	VITON	2
2	ATLAS ADAPTER PLATE	304 STAINLESS STEEL	1
3	ATLAS 2GPM GEAR HOUSING	304 STAINLESS STEEL	1
4	ATLAS PUMP ALIGNMENT PIN	304 STAINLESS STEEL	2
5	ATLAS PUMP CAP	304 STAINLESS STEEL	1
6	ATLAS PUMP BUSHING	CARBON GRAPHITE	4
7	ATLAS 2GPM LONG GEAR	17-4 PH STAINLESS STEEL	1
8	ATLAS 2GPM SHORT GEAR	17-4 PH STAINLESS STEEL	1
9	BARRIER CUP O-RING	VITON	1
10	WOODRUFF KEY	304 STAINLESS STEEL	1
11	ATLAS 2GPM RETAINING BOLTS	304 STAINLESS STEEL	2
12	ATLAS 2GPM MOUNTING BOLTS	304 STAINLESS STEEL	4
13	PUMP BRACKET	356.1 T6 ALUMINUM	1
14	PUMP BARRIER CUP	304 STAINLESS STEEL	1
15	RETAINING RING	304 STAINLESS STEEL	1
16	LOW CLEARANCE RETAINING RING	304 STAINLESS STEEL	1



Titan Atlas™ 217 Pump Dimensions



PROPRIETARY AND CONFIDENTIAL
 THE INFORMATION CONTAINED IN THIS DRAWING IS THE SOLE PROPERTY OF TITAN INDUSTRIES, INC. ANY REPRODUCTION IN PART OR AS A WHOLE WITHOUT THE WRITTEN PERMISSION OF TITAN INDUSTRIES, INC. IS PROHIBITED.

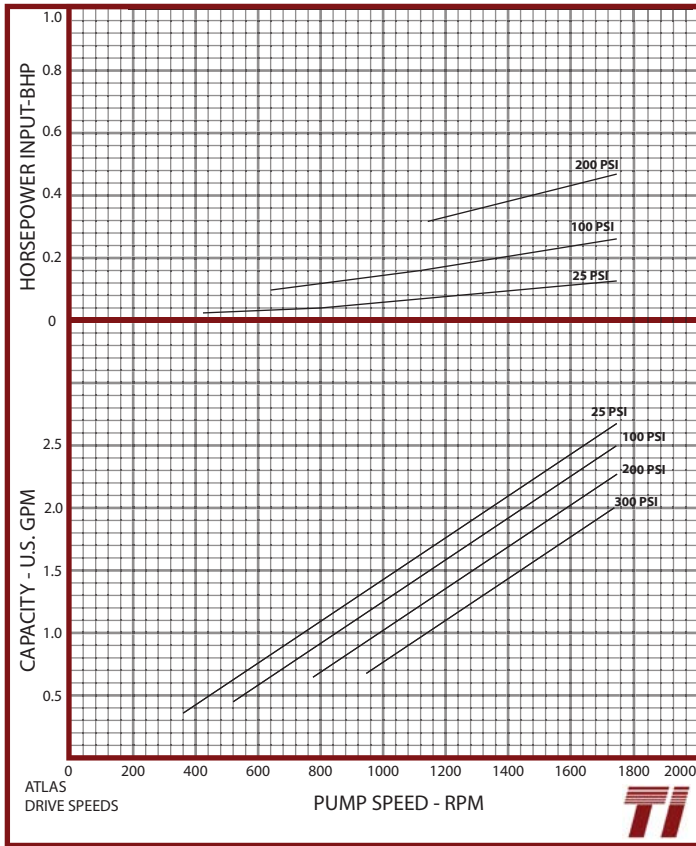
		UNLESS OTHERWISE SPECIFIED: DIMENSIONS ARE IN INCHES TOLERANCES: FRACTIONAL ± ANGULAR: MACH ± BEND ± TWO PLACE DECIMAL ± THREE PLACE DECIMAL ±	NAME	DATE	Titan Industries, Inc.	
		INTERPRET GEOMETRIC TOLERANCING PER:	DRAWN			
		MATERIAL	CHECKED		Atlas 217 Pump Assembly	
		FINISH	ENG APPR.		SIZE	DWG. NO.
NEXT ASSY	USED ON		MFG APPR.		B	REV
APPLICATION		DO NOT SCALE DRAWING	Q.A.		SCALE: 1:4	WEIGHT:
			COMMENTS:			SHEET 1 OF 1

Titan Industries, Inc.
TITAN ATLAS™ 217 PUMP CURVES

RECOMMENDATIONS
 CARBON GRAPHITE
 BUSHINGS

VISC: 28 SSU

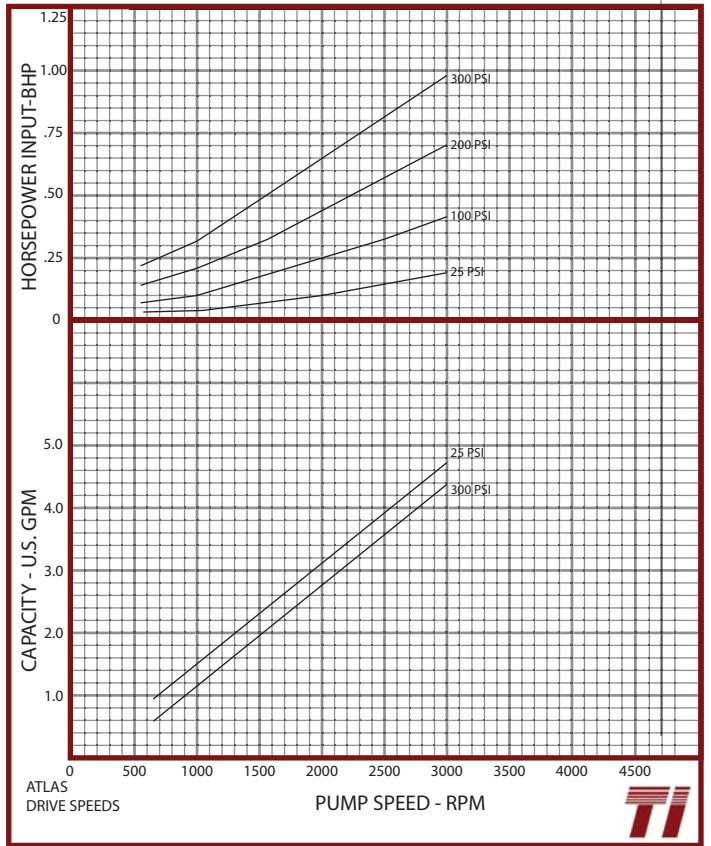
BASED ON 10 IN.-HG.



MOTOR SIZES

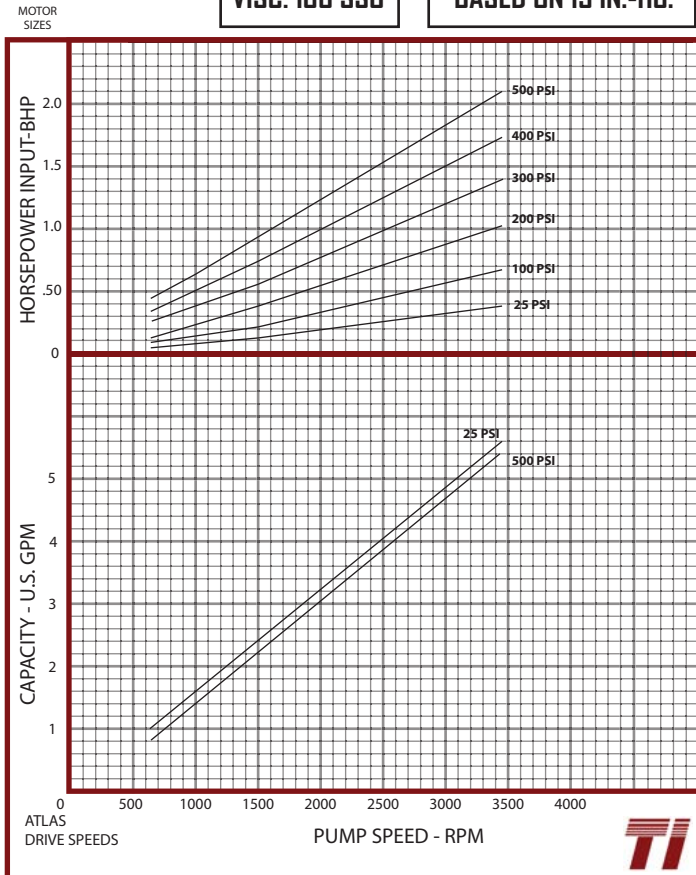
VISC: 38 SSU

BASED ON 10 IN.-HG.



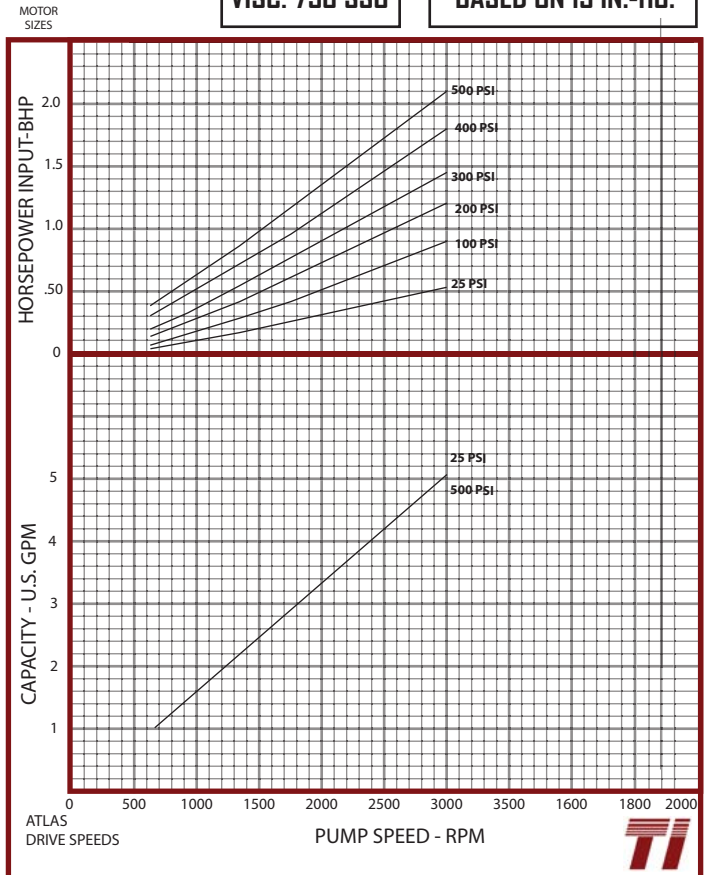
VISC: 100 SSU

BASED ON 15 IN.-HG.



VISC: 750 SSU

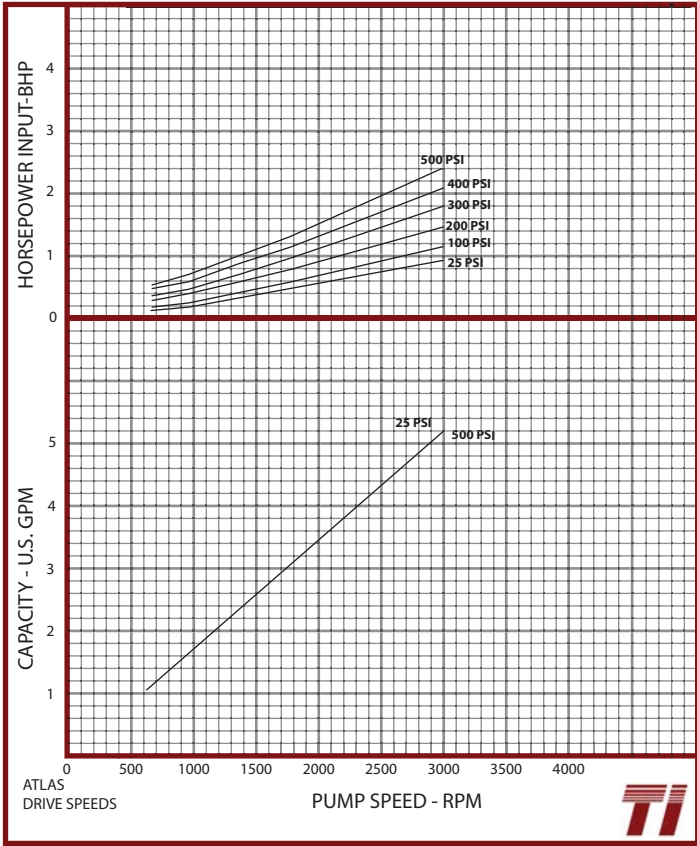
BASED ON 15 IN.-HG.



Titan Industries, Inc.
TITAN ATLAS™ 217 PUMP CURVES

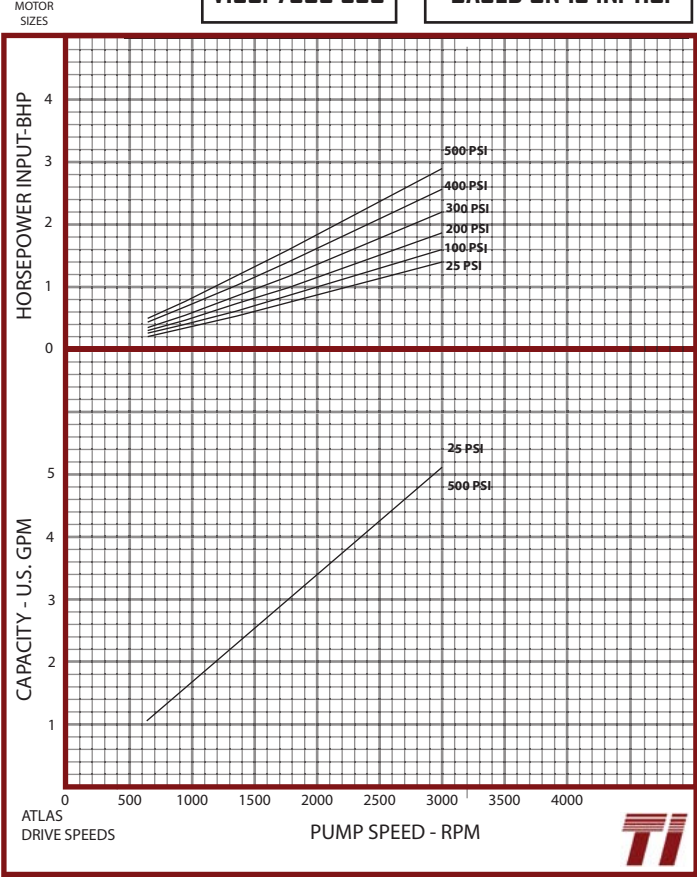
VISC: 2500 SSU

BASED ON 15 IN.-HG.



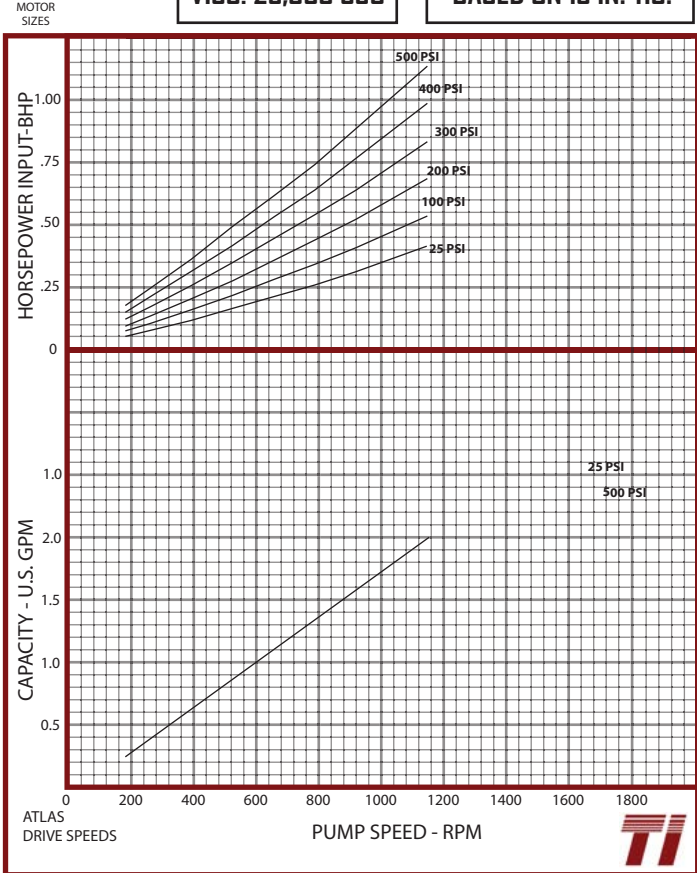
VISC: 7500 SSU

BASED ON 15 IN.-HG.



VISC: 25,000 SSU

BASED ON 15 IN.-HG.



Titan Industries, Inc.

Innovative Technologies, Global Solutions

22335 Gosling Road
 Spring, TX 77389
 Tel #: (281)-353-3600
 Fax #: (281)-353-6800
www.titan-solutions.com